



# UNIRAIN ARV-1"-A

## 1" Automatic Air Release Valve

### DESCRIPTION

This valve is designed to efficiently extract the air trapped in pipes, filters, tanks and other places where unwanted air might cause problems.

The valve has one seal, which expels both kinetic and residual air automatically, and this function is not affected by water pressure.

Its exclusive Y-shaped discharge outlet design allows a much greater air flow than in other valves of this type, in both the intake and the discharge processes.

Owing to a perfect fit, the valve is totally sealed even at very low pressures. Simple in design, with a total of only 5 parts, it's easy to unassemble for maintenance and cleaning when needed. The body is red in color, making it easily visible. The base is 1"M BSP or NPT.



### PERFORMANCE

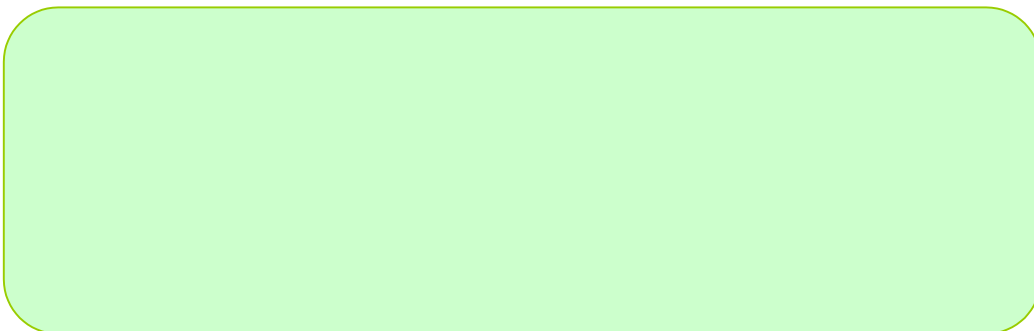
The valve performs three functions:

It **extracts** the air from pipes as they fill, and when water reaches the inside of the valve, the float rises and seals the discharge outlet.

It **exerts continuous automatic control**, eliminating any residual air pockets reaching the valve, as the float immediately drops, partly or totally opening the discharge outlet. The internal water pressure does not prevent this function from being carried out.

It **prevents** pipe collapse, because, at the least decrease in pressure, the float drops, opening the seal and allowing outside air to enter the pipe.

### DISTRIBUTOR



#### Technical Specifications

\* Automatic continuous control air release valve.

\* At least 41.2 CFM of air released without having the valve shut while no water present.

\* Released air volume is at least 8.8 CFM at 14 PSI

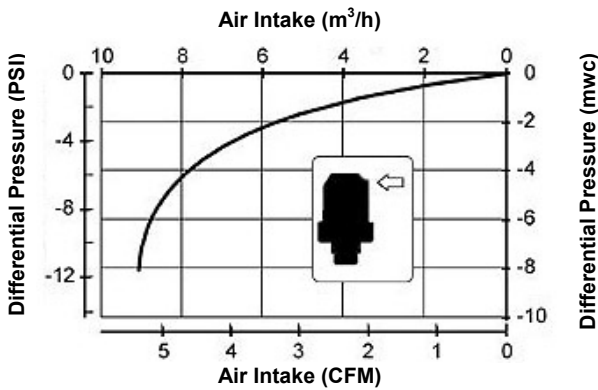
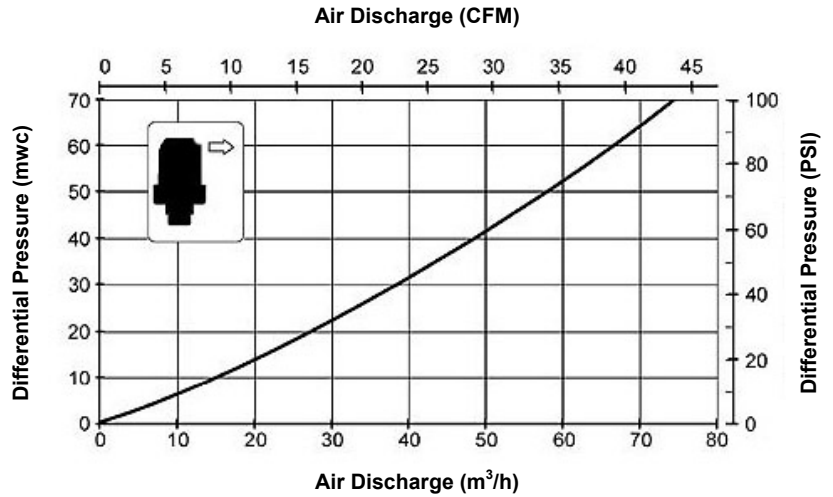
\* Working pressure of at least 170 PSI.

\* Body and base made of fiber-glass reinforced polyamide. Treated for protection from UV radiation.

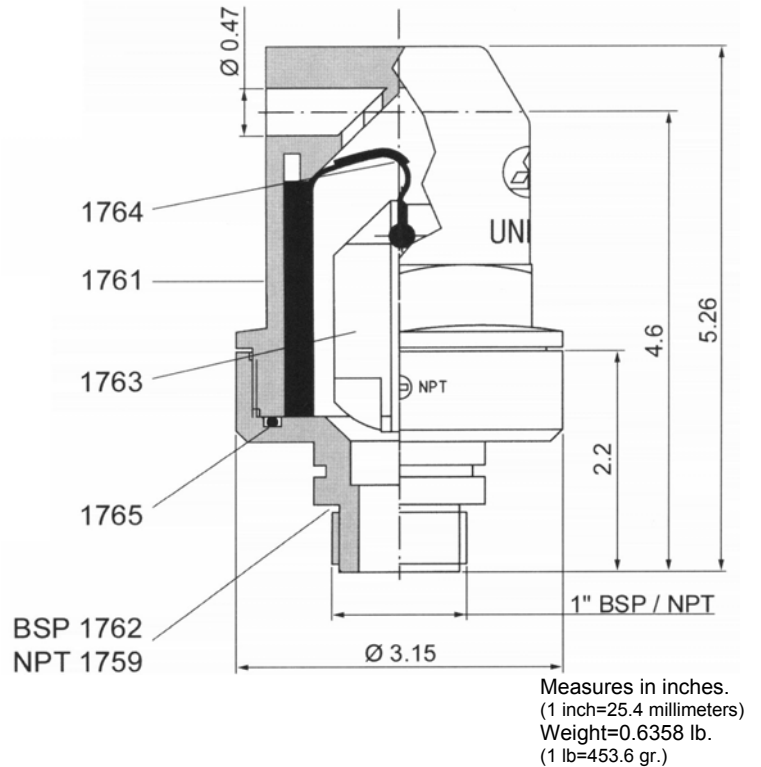
\* 1"M base thread.

**Measuring units**

- M<sup>3</sup>/h = cubic meters per hour
- Mwc = meters of water column
- CFM = Cubic Feet per Minute
- PSI = Pounds per Square Inch
  
- 1 CFM = 1.699 m<sup>3</sup>/h
- 1 PSI = 0.70307 mwc



Code	Description	Material
1759	1" NPT base	Polyamide+Fiber.Glass
1762	1" BSP base	Polyamide+Fiber.Glass
1761	Body	Polyamide+Fiber.Glass
1763	Float	Expanded Polypropylene
1764	Main seal	EPDM
1765	O-Ring	NBR



**WARRANTY AND EXCLUSIONS**

The manufacturer guarantees its products for direct customer against any defects in materials or manufacture for a period of two years from the original date of purchase, as long as the products have been used under normal operating conditions. The manufacturer assumes no responsibility for installation, removal or repairs carried out by unauthorized personnel. The manufacturer's liability under this warranty is limited to the replacement or repair of defective parts and the manufacturer does not accept responsibility for damages to crops or any other consequential damages deriving from defects in the products covered by this warranty.

**THE PRESENT WARRANTY SUPERCEDES AND VOIDS ALL OTHER WARRANTIES, WHETHER EXPRESS OR IMPLIED, INCLUDING THOSE OF MERCHANTABILITY AND FITNESS FOR PARTICULAR PURPOSES OR ANY OTHER ATTRIBUTING LIABILITY TO THE MANUFACTURER.**

No agent, employee or representative of the manufacturer is authorized to void, alter or add to the conditions contained in this warranty, nor to take responsibility for, nor to make guarantees not specified herein.