



UNIRAIN ARV-2"-KA 2" Kinetic and Automatic Air Release Valve

DESCRIPTION

Valve designed to extract air from pipes, large filters, tanks or any other similar equipment which must work without the presence of air.

An exclusive double seal system, one for kinetic performance and another for automatic control, together with its low density float, makes this valve completely watertight as the pipe is being pressurized or emptied, no matter how slowly these operations are carried out.

Its new inner design achieves its float to resist the air stream even when it's faster than sound in the outlet. The valve will only shut by means of water.

Its outlet elbow features an inner filter to prevent outer objects to enter the valve.

PERFORMANCE

The valve performs three functions:

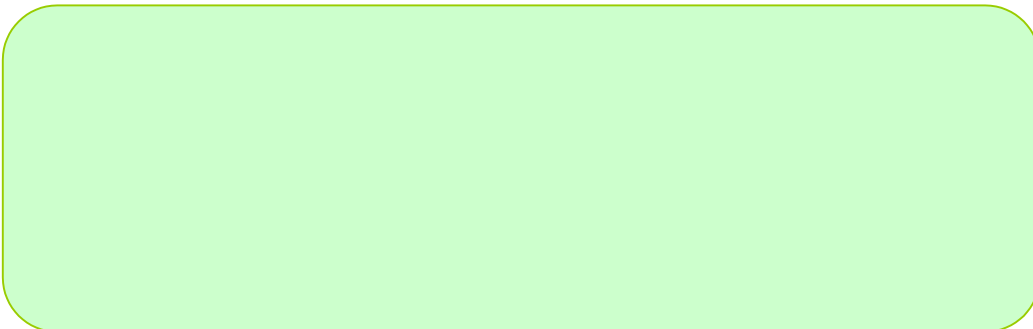
It **extracts** the air from pipes as they fill. This stage ends as water reaches the inside of the valve, raising the float and closing the main discharge outlet.

It **exerts continuous automatic control**, eliminating any residual pocket of air that might reach the valve, as when it happens, the float drops, partially or totally opening the discharge outlet.

Water pressure will not prevent this function from being carried out.

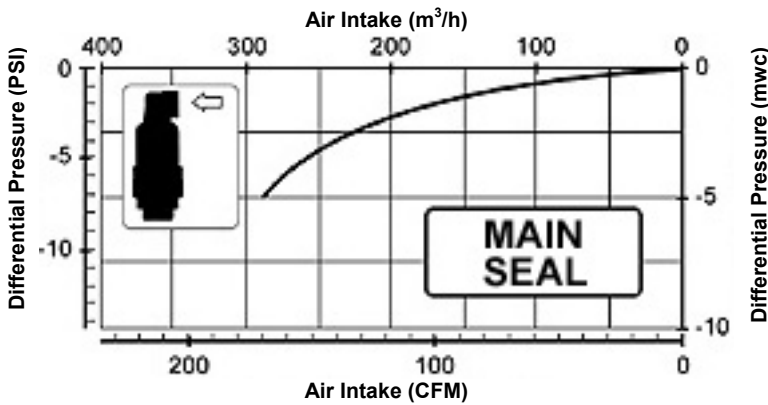
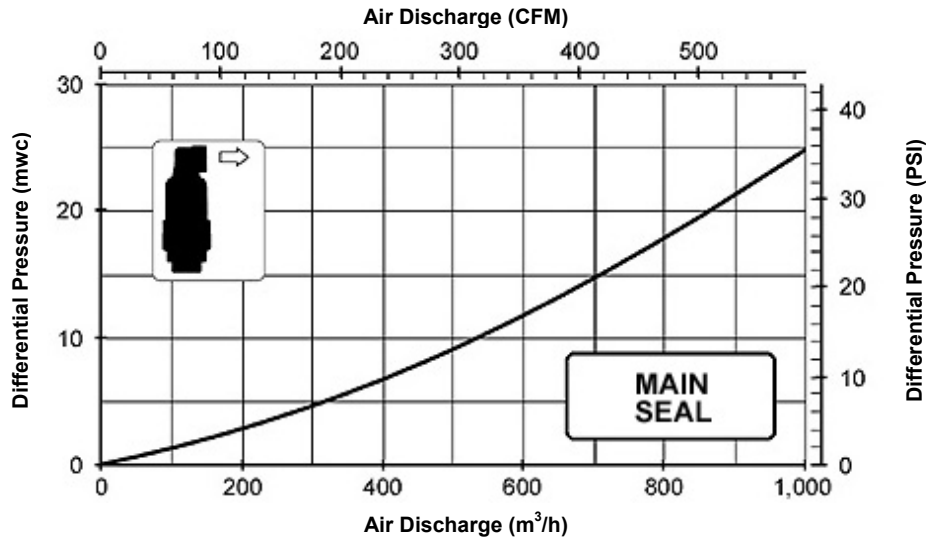
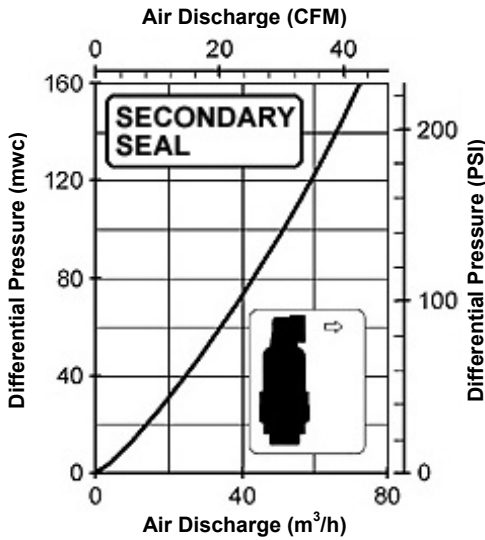
It **prevents** pipe collapse, because, at the least decrease in pressure, the float drops, completely opening the main seal, allowing outside air to enter the pipe.

DISTRIBUTOR



Technical Specifications

- * Kinetic and Automatic continuous control air release valve.
- * At least 590 CFM of air released without having the valve shut while no water present.
- * Released air volume is at least 140 CFM at 5 PSI
- * Totally sealed from 3 PSI.
- * Working pressure of at least 225 PSI.
- * Body and base made of fiber-glass reinforced polyamide. Treated for protection from UV radiation.
- * 2" M BSP or NPT base thread.
- * 1-1/4" H threaded outlet with filter.

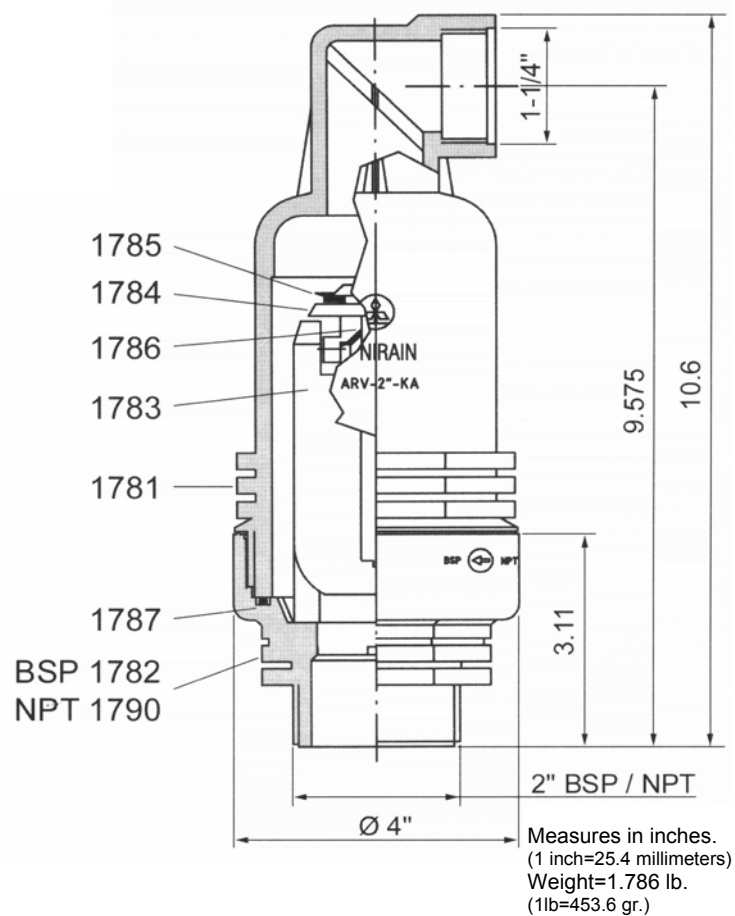


Measuring units

- M³/h = cubic meters per hour
- Mwc = meters of water column
- CFM = Cubic Feet per Minute
- PSI = Pounds per Square Inch

- 1 CFM = 1.699 m³/h
- 1 PSI = 0.70307 mwc

Code	Description	Material
1790	2" NPT base	Polyamide+Fiber.Glass
1782	2" BSP base	Polyamide+Fiber.Glass
1781	Body	Polyamide+Fiber.Glass
1783	Float	Expanded Polypropylene
1784	Yoke	Polyamide+Fiber.Glass
1785	Main seal	EPDM
1786	Secondary seal	EPDM
1787	O-Ring	NBR



WARRANTY AND EXCLUSIONS

The manufacturer guarantees its products for direct customer against any defects in materials or manufacture for a period of two years from the original date of purchase, as long as the products have been used under normal operating conditions. The manufacturer assumes no responsibility for installation, removal or repairs carried out by unauthorized personnel. The manufacturer's liability under this warranty is limited to the replacement or repair of defective parts and the manufacturer does not accept responsibility for damages to crops or any other consequential damages deriving from defects in the products covered by this warranty.

THE PRESENT WARRANTY SUPERCEDES AND VOIDS ALL OTHER WARRANTIES, WHETHER EXPRESS OR IMPLIED, INCLUDING THOSE OF MERCHANTABILITY AND FITNESS FOR PARTICULAR PURPOSES OR ANY OTHER ATTRIBUTING LIABILITY TO THE MANUFACTURER.

No agent, employee or representative of the manufacturer is authorized to void, alter or add to the conditions contained in this warranty, nor to take responsibility for, nor to make guarantees not specified herein.